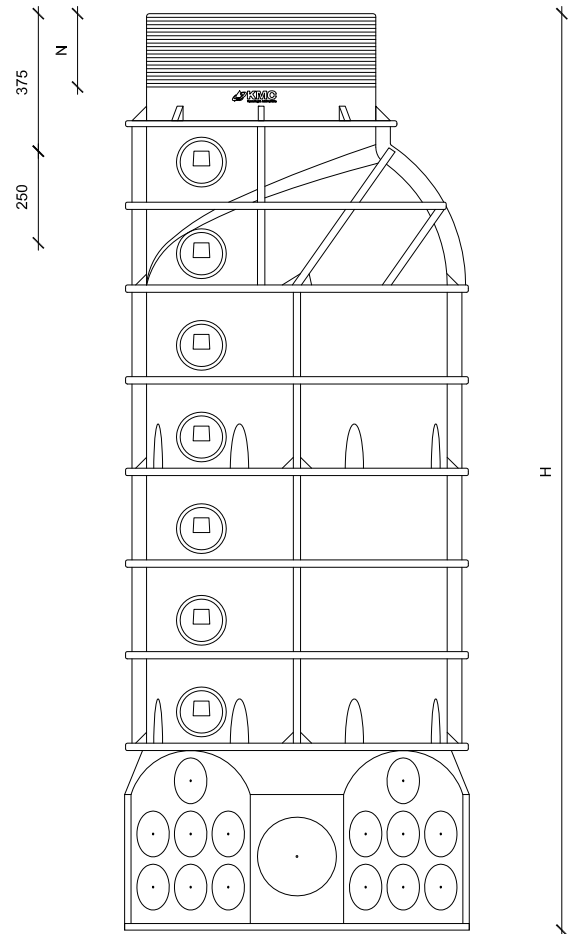
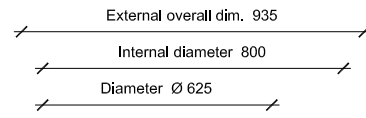
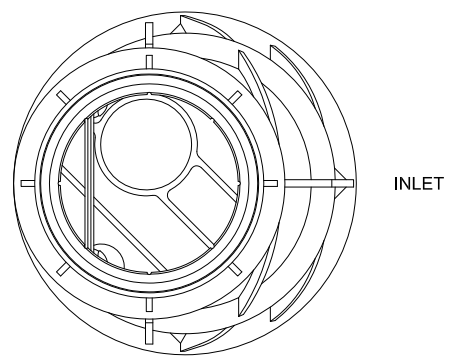


SECTION

Art. Number	h Base	h Elevation	h Upper	Total height
KMC-080-CAS-125-MB	-	-	-	1250 mm
KMC-080-CAS-150-MB	-	-	-	1500 mm
KMC-080-CAS-175-MB	-	-	-	1750 mm
KMC-080-CAS-200-MB	-	-	-	2000 mm
KMC-080-CAS-225-MB	-	-	-	2250 mm
KMC-080-CAS-250-MB	-	-	-	2500 mm



PLAN VIEW



**KMC**  
Tecnologia Ambientale  
Via Basaldella, 92 - 33037 Pasián di Prato (Udine) Italy  
Tel.: +39 0432 688122 Fax: +39 0432 688130  
e-mail: info@kmc.it homepage: www.kmc.it  
File name: 080-CAS-XXX-MB

Revision 06:	Date:	Customer name and address :	
Revision 05:	Date:		
Revision 04:	Date:		
Revision 03:	Date:		
Revision 02:	Date:		
Revision 01:	Date:		
Checked by: K.M.C. Srl	Date: 19/07/16	Order reference:      Date of order:	
Designed by: K.M.C. Srl	Date: 19/07/16		
Measures in: mm	Tolerance: 2%	Scale: 1:20	DISCLOSURE DENIED BY K.M.C. S.r.l.

Present document remains property of K.M.C. Srl - Tecnologia Ambientale. All rights reserved. No part of this drawing may be reproduced in any form or by any means. Transmission of present documents do not give permission for disclosure. Any improper use will be persecuted by law. K.M.C. Srl - Tecnologia Ambientale assumes no responsibility for changes in measurements and technical data and reserves the right to update, revise, add to or modify present drawing at any moment.