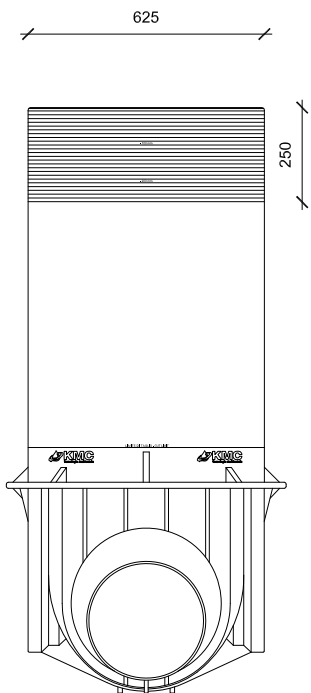
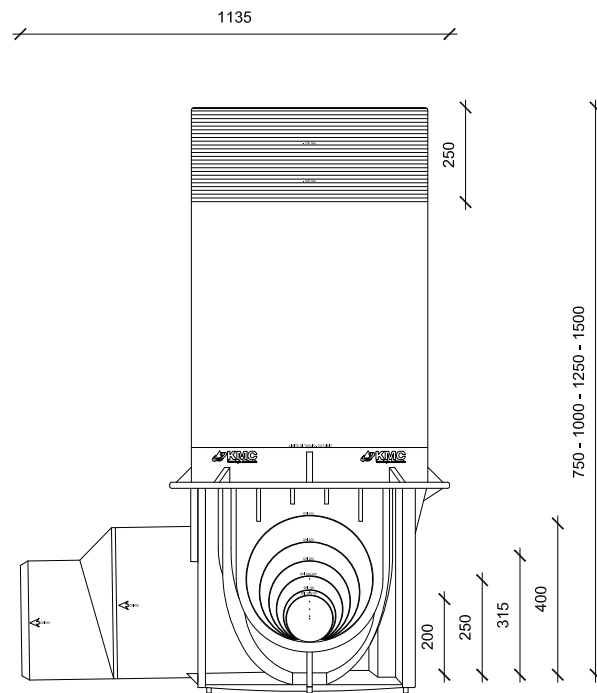


Art. Number	h Base	h Elevation	H Upper unit	Total height
KMC-060-3B-075-40	-	-	-	750 mm
KMC-060-3B-100-40	-	-	-	1000 mm
KMC-060-3B-125-40	-	-	-	1250 mm
KMC-060-3B-150-40	-	-	-	1500 mm

VIEW B-B



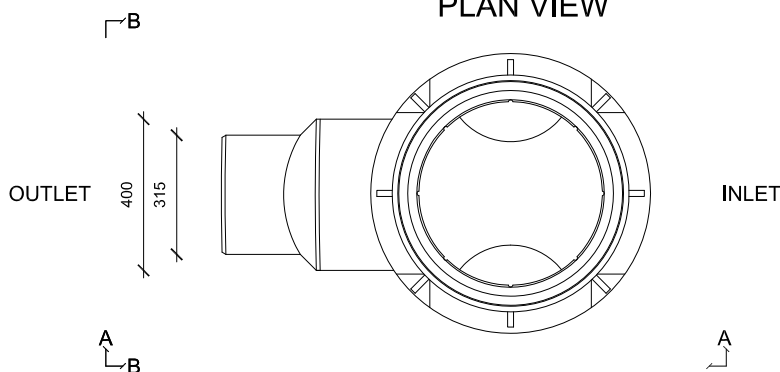
VIEW A-A



PEND. 1,5 %



PLAN VIEW



Via Basaldella, 92 - 33037 Pasián di Prato (Udine) Italy
 Tel.: +39 0432 688122 Fax: +39 0432 688130
 e-mail: info@kmc.it homepage: www.kmc.it

Revision 06:	Date:
Revision 05:	Date:
Revision 04:	Date:
Revision 03:	Date:
Revision 02:	Date:
Revision 01:	Date:
Checked by: K.M.C. Srl	Date: 19/07/16
Designed by: K.M.C. Srl	Date: 19/07/16
Measures in: mm	Tolerance: 2%
	Scale: 1:20

Customer name and address :

Order reference number:

Order reference:

Date of order:

DISCLOSURE DENIED BY K.M.C. S.r.l.

Present document remains property of K.M.C. Srl - Tecnologia Ambientale. All rights reserved. No part of this drawing may be reproduced in any form or by any means. Transmission of present documents do not give permission for disclosure. Any improper use will be persecuted by law. K.M.C. Srl - Tecnologia Ambientale assumes no responsibility for changes in measurements and technical data and reserves the right to update, revise, add to or modify present drawing at any moment.